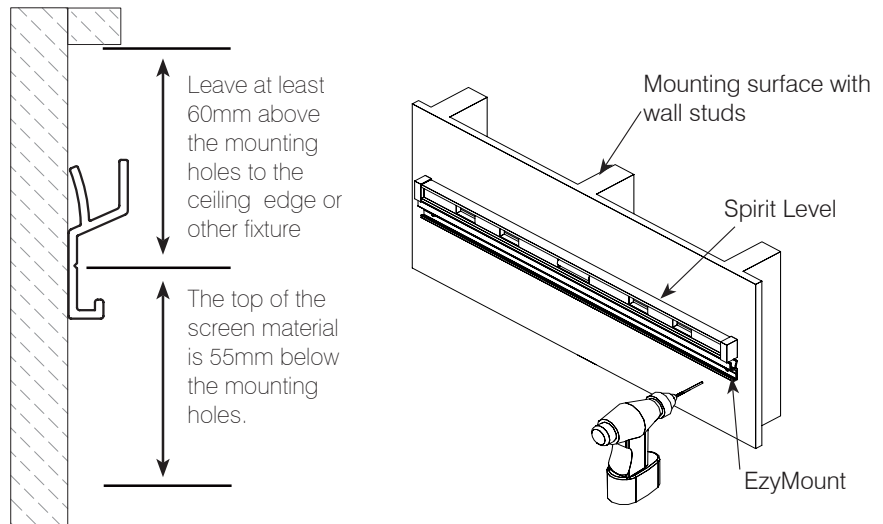


Read before assembly

Please read these instructions completely before installing your Galleria Plana AT Frame Screen. If you are unsure about installing this product or the setup up of your projector we recommend installation by a Professional AV Installer.

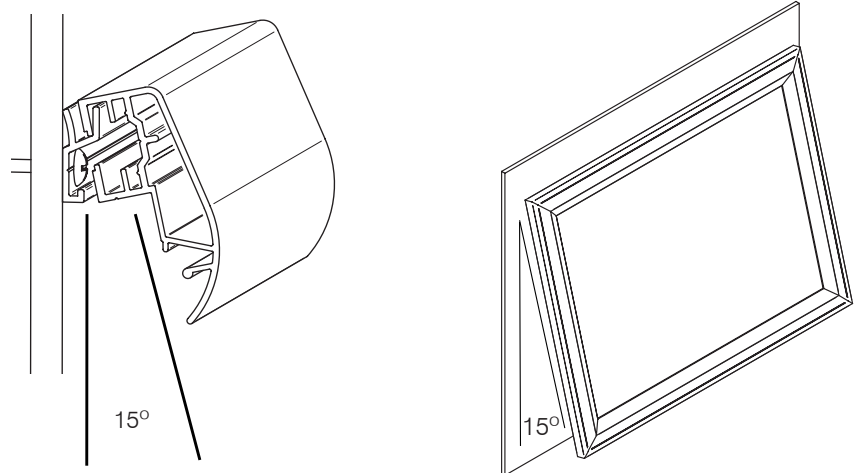
Installing the Ezy mount

Carefully measure the desired screen position. Always use a spirit level as the ceiling or walls may not be level. Measure, drill and fasten the EzyMount to the wall using at least three screws appropriate to the wall type (not supplied).



Hanging the screen

Tilt the screen 15° to hook onto the EzyMount. When you have hooked the screen onto the EzyMount then lower it against the wall.



Cleaning your Plana AT surface

- Remove dust with vacuum cleaner or compressed air.
- Do not scrub. Do not use solvents or any abrasive substance which might damage the coating of the fabric.
- For small stains removal, try rubbing the fabric very gently with a clean white pencil eraser.
- Clean the screen with a mild detergent solution and a sponge or lint free cloth. Dab lightly to remove any stubborn marks, then blot with a damp sponge to absorb excess water. Dab off the detergent with clean water and dry with a soft cloth or towel. Do not let the detergent dry on the screen.

Cleaning your frame

- If your frame is powder-coated or anodised, use water with a mild detergent or methylated spirits and a soft cloth to wash off any marks.
- Rinse and dry with a clean cloth or towel. Take care not to wet the screen surface.
- If your frame features a flocked velour finish, use a lint brush to remove any dust on the frame.